

# 4 Way Ka Band Power Divider

## TECHNICAL DATA SHEET

03-12-002-01A

Asthra Projects ultra-wideband coaxial 4-way power divider providing coverage from 15 to 40 GHz, supporting a wide range of applications including Ka-Band SatCom, microwave point - to -point backhaul, instrumentation and many more. This model provides 2W(min) power handling as a splitter and very low insertion loss across the entire operating frequency range, minimizing power dissipation and delivering excellent signal power transmission from input to output.

The 03-12-002-01A comes housed in a rugged aluminum alloy case measuring 40x80x15 mm(LxWxH) with 2.92mm connectors.

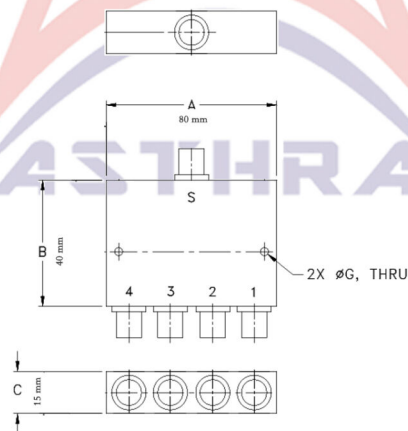
### Features:

- wideband, 15 to 40 GHz
- low insertion loss, 1.5 dB typ.
- low amplitude unbalance, 0.3 dB typ.
- low phase unbalance, 6.0 deg. typ.
- high isolation, 22 dB typ.

### Specifications:

Parameter	Specification
Frequency range	15-40 GHz
Insertion loss (above 6 dB)	3.0 dB max
Amplitude Unbalance	1 dB max
Isolation	18dB min.
VSWR	2.0 max.
Power Handling (as splitter)	2W CW min.
I/O connectors	2.92 mm
Impedance	50-ohm
Mounting Style	Mountable to chassis

### Outline Drawing



\*Note: . Specifications & Dimensions may vary as per the requirements

# ASTHRA PROJECTS

#LIG- B329, Near old HMTV, Dr.A.S.Rao Nagar,  
ECIL Post, Hyderabad-500062. Ph: 040-40264887  
Mail: [info@asthraprojects.com](mailto:info@asthraprojects.com)  
Web: [www.asthraprojects.com](http://www.asthraprojects.com)